



LGSHL

Steel Housing 12V up to 40W Capacities High-Performance LED

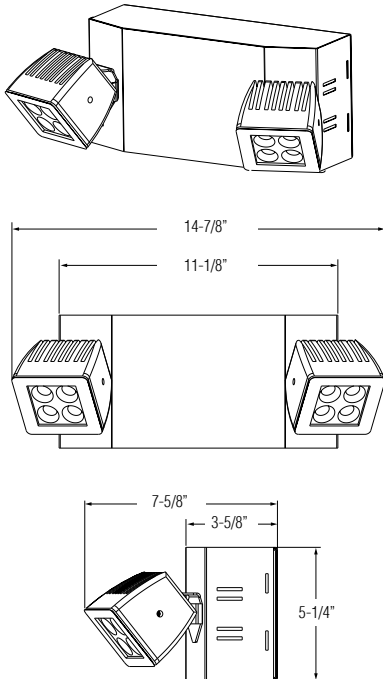
Features

- Suitable for warehouse applications
- High-efficacy LED heads up to 140ft Center to Center spacing
- Innovative head design: four-LED and dual-driver provide illumination even in case of unexpected component failure
- Constructed of 20-gauge steel with gray baked enamel finish
- Available with sealed, maintenance-free Nickel-Cadmium or Lead-Calcium batteries
- PulsePlus Charger circuitry offers 120/277VAC 60 Hz., 0.3/0.15A (other inputs available), fused output circuit(s), dual diagnostic indicator lights, temperature compensation, sealed relay, low voltage battery disconnect, brown out protection and lock out (automatic battery connect)



- Optional: Advanced Diagnostic and Self-Test
- UL924 Listed
- 5-year limited warranty

Dimensions



Approvals

- UL 924 listed
- NYC approved
- BC – California Energy Commission Title 20

Accessories

DESCRIPTION	Suffix
Mounting Bracket	BJ-E
Wire Guard (front mounted heads)	WG10-E

Unit Rating

Series	Sealed Maintenance-Free Battery Types	DC Voltage	Watts to 87-1/2% of rated battery voltage			
			1-1/2 hrs	2 hrs	3 hrs	4 hrs
UNIT EQUIPMENT - WITH REMOTE CAPABILITY						
LGSHL30-2	Nickel-Cadmium	12	30	21	15	12
LGSHL40-2	Nickel-Cadmium	12	40	36	25	18
LGSHL36-2	Lead-Calcium	12	36	25	20	14
LGSHL36-2*	Lead-Calcium	12	36	27	18	13

* CEC Approved Model



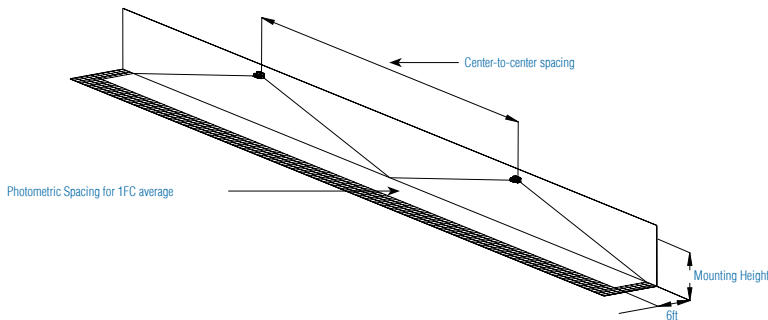
Photometry Performance

The LGSHL emergency lights deliver a stable and consistent illumination on the path of egress for a wide range of mounting heights. Depending on the application, one may select and specify among three level of lumen output and cross reference to traditional incandescent emergency lights below.

MOUNTING HEIGHT	SPACING CENTER-TO-CENTER (FEET)		
	LAMP L6 / 6W, 565LM	LAMP L10 / 10W, 1000LM	LAMP L15 / 15W, 1300LM
10 ft	80	110	140
15 ft	70	105	135
20 ft	60	100	130
25 ft	50	95	120

LED HEAD	POWER	TOTAL LUMENS	OUT-PERFORM SPACING OF THE INCANDESCENT
L6	6W	565	35W PAR36, MR16 Halogen
L10	10W	1000	50W PAR36, MR16 Halogen
L15	15W	1300	50W PAR36, MR16 Halogen

NEMA 1 environment: wall mounted equipment, reflectances: 10/10/10; 6-ft wide illumination path. 200 ft X 200 ft X 30 ft space. Illumination as per NFPA101; Average: 1fc; Min: 0.1fc; Max/min < 40:1



How To Order

Sample Part Number: LGSHL30-G-2L6FM-AD

SERIES/CAPACITY		Color	Head Style	Options		Approvals
LGSHL30	12V-30W, Ni-Cd	-G -B Gray Black*	-2L6FM = 12V-6W (565 lumens) -2L10FM = 12V-10W (1000 lumens) -2L15FM = 12V-15W (1300 lumens)	-AD	Advanced Diagnostics (audible)	-CEC** = CEC California Title 20
LGSHL40	12V-40W, Ni-Cd			-ADNA	Advanced Diagnostics (non-audible)	
LGSHL36	12V-36W, Lead-Calcium			-D3***	Time Delay (15 minutes)	
		FL	Flasher (DN model only)			
		-C	Line cord 120V 3 feet			
				-E	Special Cord & plug (specify length & plug type)	

* -2L15FM only

** Available with LGSHL36 with AD, ADNA only

*** Time delay available with AD, ADNA models only