



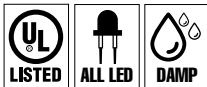
ELLE

LED EMERGENCY UNIT

Illumination

- Long lasting, efficient, ultra bright white LED lamp heads.
- 1W (8 LEDs x 0.125 watt) per head.
- High performance chrome-plated metallized reflector and plastic lens for optimal light distribution.
- Adjustable LED lamp heads provide optimal center-to-center spacing. High-lumen option available for increased center-to-center spacing.

STANDARD



OPTIONAL



Electrical

- Dual 120/277 voltage standard. Optional multi-tap 208/220/240 voltage available.
- Charge rate/power "ON" LED indicator light and push-to-test switch for mandated code compliance testing.
- 3.6V long life, maintenance-free, rechargeable NiCd battery.
- Internal solid-state transfer switch automatically connects the internal battery to LED lamp heads for minimum 90-minute emergency illumination.
- Fully automatic solid-state, two rate charger initiates battery charging to recharge a discharged battery in 24 hours.

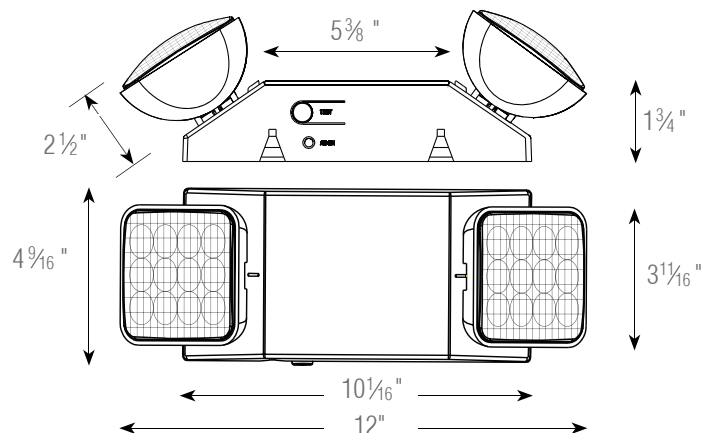
Mounting

- Surface mount via easy connect back plate, which fits most standard junction boxes and snaps into place making internal electrical connections.
- Top and side knockout for conduit applications.
- Suitable for wall or ceiling mount.

Housing

- Injection-molded, engineering grade, 5VA flame retardant, high-impact resistant, thermoplastic in white or black finish.

Dimensions



Options

- **SDT:** Self-diagnostic feature performs monthly, biannual, and annual tests to ensure reliable operation and meet electrical and life safety codes.
- **HL:** 12-LEDs per head provide increased center-to-center spacing.
- **SPV:** UL Listed for special voltage option.

Warranty / Listing



- Five year warranty on all electronics and housing. Battery pro rated for five years.
- Meets UL924, NFPA 101 Life Safety Code, NEC, OSHA, Local and State Codes.
- UL Listed for damp locations (0°C – 50°C).

How To Order

Sample Part Number: ELLE

Model	Housing Color		Options	
ELLE	W	White	SDT	Self-diagnostic ¹
			SPV	208/220/240 Volt, 50/60Hz 1
	B	Black	HL	High-Lumen

1. Not available with SDT options.