

EEWCL

COMPACT WET LOCATION LED EXIT SIGN COMBO

Illumination

- Ultra bright, energy efficient, long life Red or Green LED.

STANDARD



OPTIONAL



Electrical

- Dual 120/277 voltage.
- Unique bi-color LED indicator light alerts occupant on battery condition (Green-normal, Red-check battery).
- 4.8V long life, maintenance-free, rechargeable NiCd battery.
- Internal solid-state transfer switch automatically connects the internal battery to LED board for minimum 90-minute emergency illumination.
- Fully automatic solid-state, two rate charger initiates battery charging to recharge a discharged battery in 24 hours.

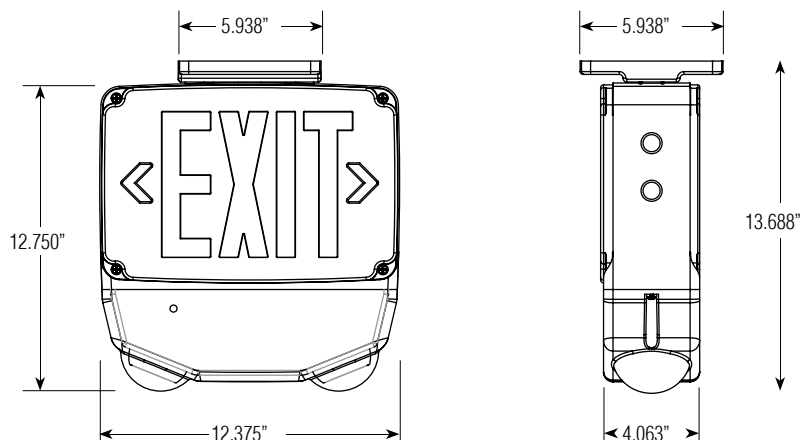
Mounting

- Polycarbonate mounting canopy included for top or end mount.
- Universal K/O pattern on back plate for wall mount.

Housing

- 5VA flame retardant, UV-stabilized polycarbonate in white, black or gray finish.
- High-impact resistant, UV-stabilized polycarbonate clear lens.
- Corrosion-resistant enclosure with engineering grade silicone gasket.
- Top and side K/O's provided for conduit feed applications.
- EZ snap-out chevron directional indicators.

Dimensions



Options

- **SDT:** Self-diagnostic feature performs monthly, biannual, and annual tests to ensure reliable operation and meet electrical and life safety codes.
- **Custom:** Signs available with requested 'special' wording.
- **TP:** Tamper-proof hardware helps prevent unauthorized access to the unit.
- **2C:** Dual circuit option on the AC-only unit enables it to be connected to two different (one acting as a back-up to the other) supplies at the same time.
- **TP:** Tamper-proof hardware helps prevent unauthorized access to the unit.

Warranty / Listing



- Five year warranty on all electronics and housing. Battery pro rated for five years.
- Meets UL924, NFPA 101 Life Safety Code, NEC, OSHA, Local and State Codes.
- UL Listed for damp locations (0°C – 50°C).

How To Order

Sample Part Number: EEWCL-1-R-W-EM-CW

Model	N° Of Faces		Letter Color		Housing Color		Battery				Options	
EEWCL	1	Single Face	R	Red	W	White (with white faceplate)	Blank	AC Only	CW	Cold Weather (standard)	SDT	Self- diagnostic ¹
					B	Black (with black faceplate)					TP	Tamper proof
	2	Double face	G	Green	G	Gray (with white faceplate)	EM	Battery Backup			2C	Dual circuit ²
					Custom	Custom Wording						

Special voltage & SALIDA face plate options available.
Check with your Luxguild Lighting Representative.

¹ Available only with EM units

² Available only with AC units